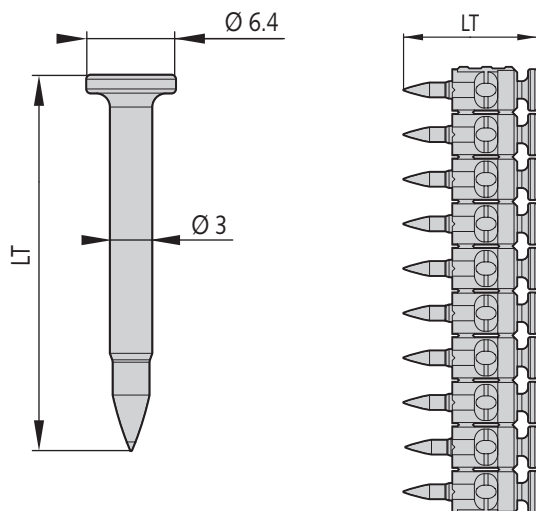


SPIT HC6-15



DESCRIPTION

- Temporary fastening of steel sheets for steel decking

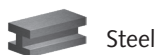
PROPERTIES MATERIAL

- Shank in carbon steel
- Electrogalvanised, min zinc coating 5 µm
- Hardness: 53 to 56 HRc

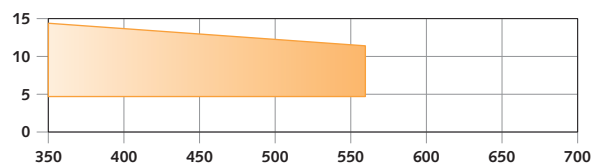
TOOL

P800P / P800P+

APPLICATION LIMIT



Thickness of base material (mm)



(1) E24	E28	E36	A60
(2) ST37	ST44	ST52	ST60
(3) S235	S275	S355	E335

(1) French designation - (2) German designation
(3) Designation according to European standard NF EN 10027-1

Ultimate tensile strength of base material (N/mm²)

DESIGN & RECOMMENDED LOADS

The performances given below, are suitable for a resistance of base material lower than 550 N/mm² and with a minimum thickness of 5 mm.

Sheet thickness (1) $f_{uk} > 390 \text{ N/mm}^2$ (S320GD)	H _{nom} min (mm)	Design resistance [kN]		Recommended load [kN]	
		Tensile	Shear	Tensile	Shear
		N _{Rd}	V _{Rd}	N _{Rec}	V _{Rec}
0,75 mm	6.5	2.25	1.80	1.5	1.2
1,00 mm					
1,25 mm					

$F_{rec} = F_{Rk} / 2.5$: the recommended load is calculated from the characteristic load and a global safety factor equal to 2.5.

Design load is calculated with a safety factor $\gamma_F = 1.5$.