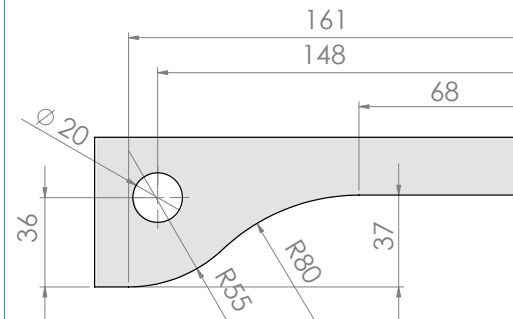
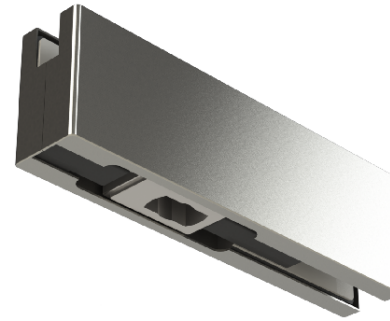
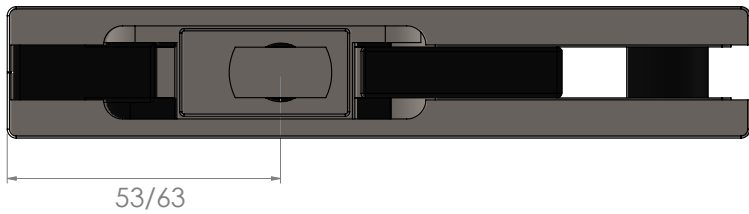
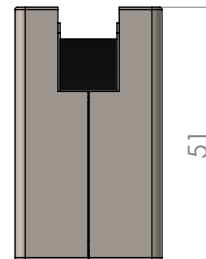
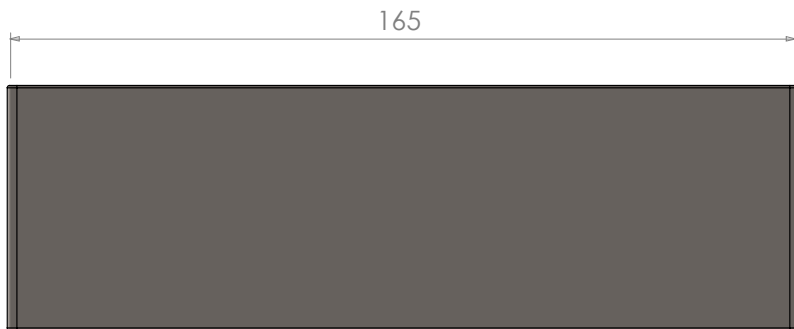


PL10 Primeline Bottom Pivot Patch

Bottom Pivot Patch



Glass Preparation Details



Technical information

Notes

- Non Handed
- Packaging: Supplied as a single unit

Key product features

	Max door weight	Max door width
Pivot Patch	120kg	1100mm

Finishes	Code
Satin Stainless Steel	10.301.700PL
Polished Stainless Steel	10.301.701
Black	10.301.700PL.BK

PRODUCT NAME: BOTTOM PIVOT PATCH		PRODUCT CODE: PL10	
SCALE: 1:2	SHEET SIZE: A3	DRAWN BY: BK	DATE: 20/4/22
PRODUCT NO.		DRAWING NO.	

- All dimensions are in mm unless otherwise stated
- Any dimensions scaled from this drawing are taken at the reader's own risk



Vista
Architectural

info@vista-architectural.com
www.vista-architectural.com