

# Installation Guide

Prelude 24 / Prelude Sixty<sup>2</sup>

Mineral Board / Tegular / Vector



# Summary

- 1 Tools required
- 2 Room layout
- 3 Perimeter trim installation
- 4 Top fixings & hangers
- 5 Main Runner installation
- 6 Cross Tee installation
- 7 Full size tile installation
- 8 Cut tile installation

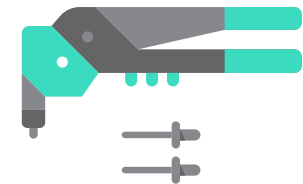
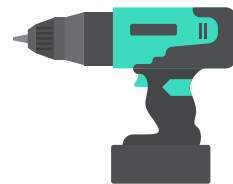
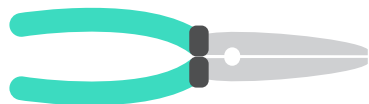
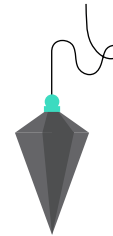
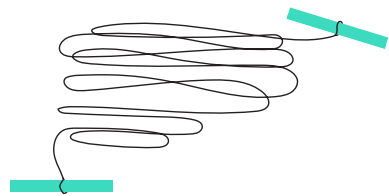
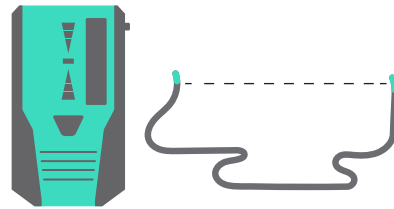
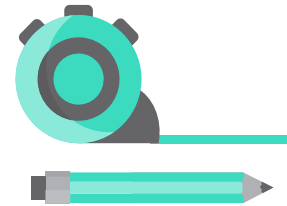
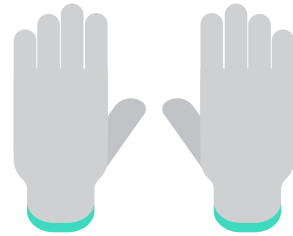


1 Tools required

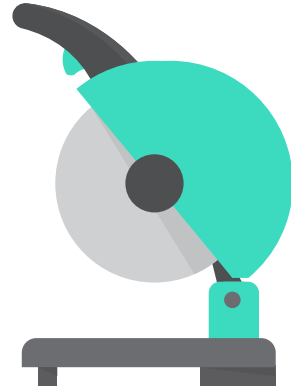
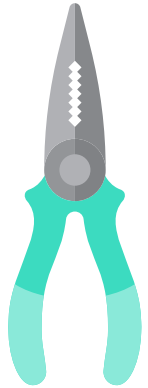


# General tools

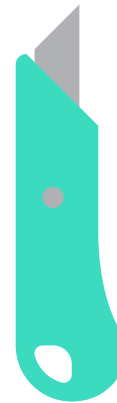
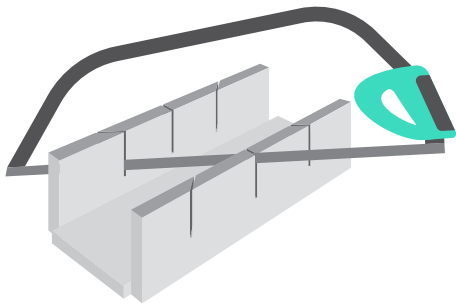
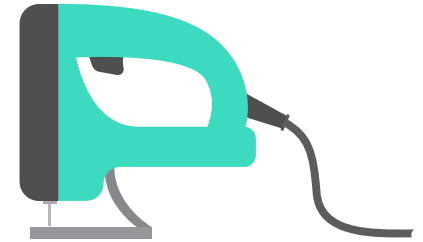
1.1



## 1.2 Grid tools



## 1.3 Tile tools

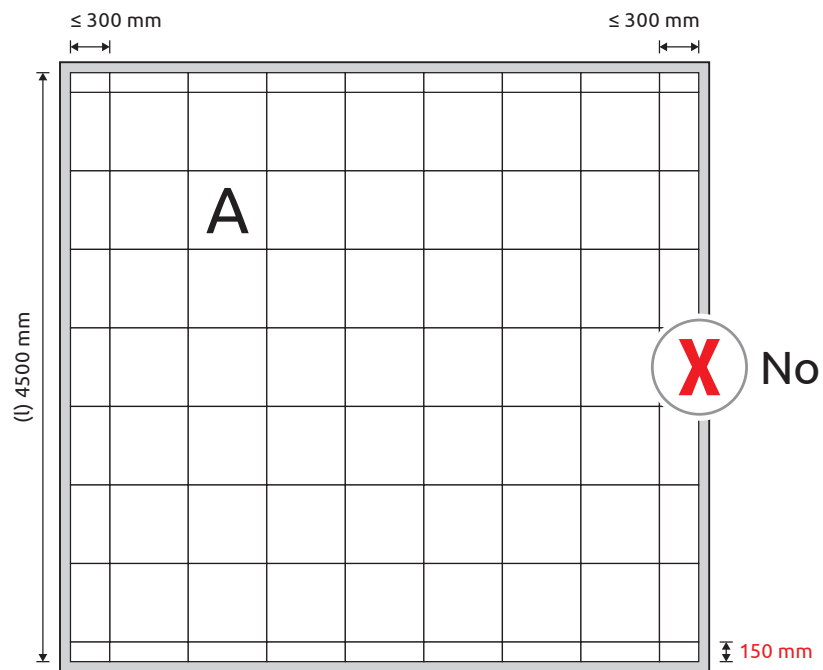


## 2 Room Layout



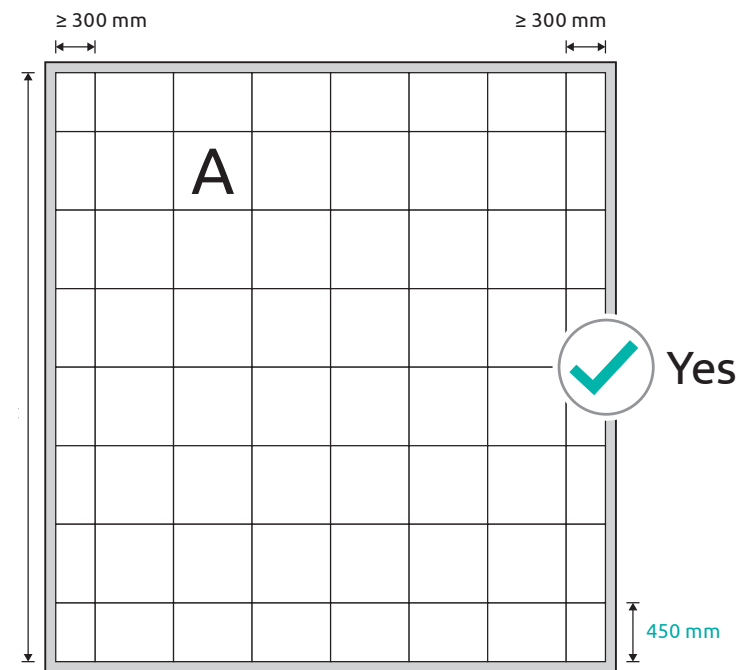
# Planning the layout

2.1



A : 600 x 600 mm

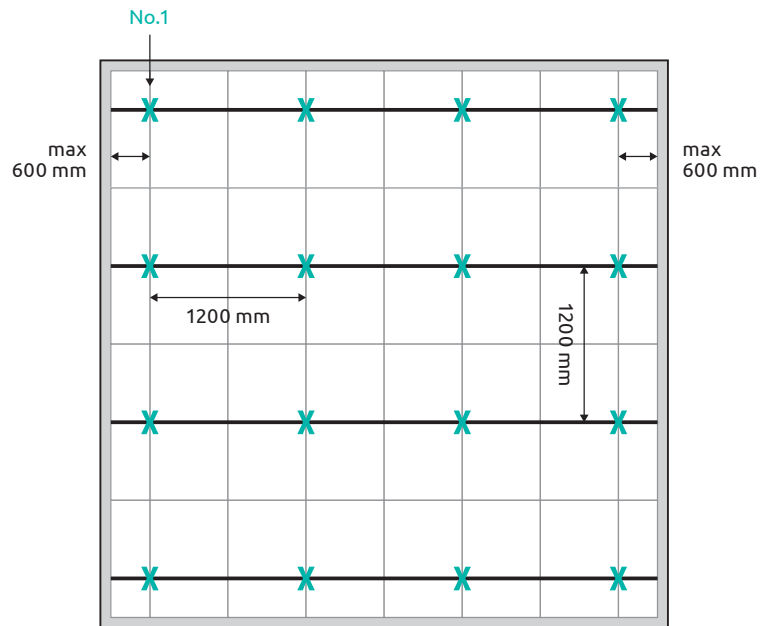
$$4500 \text{ (l)} / 600 = 600 \times 7 + 150 \times 2$$



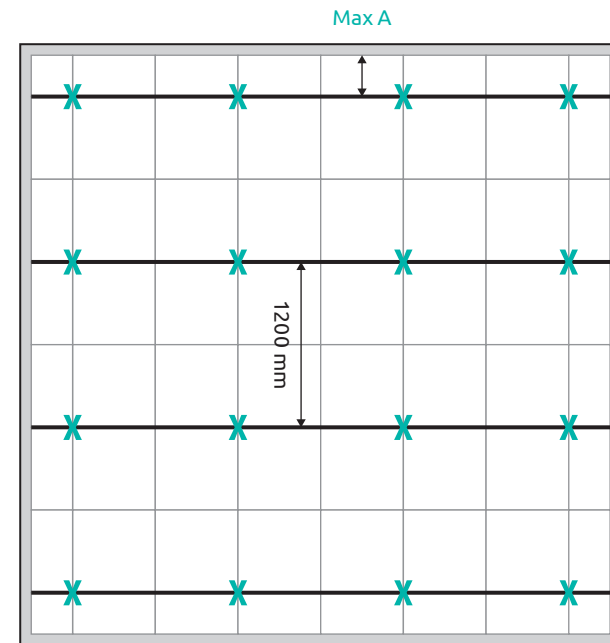
A : 600 x 600 mm

$$4500 \text{ (l)} / 600 = 600 \times 6 + 450 \times 2$$

## 2.2 First hanger location



## 2.3 Direction of the Main Runners



\*For alternative hanger and main runner spacing, please contact ITS on 0800 371 849

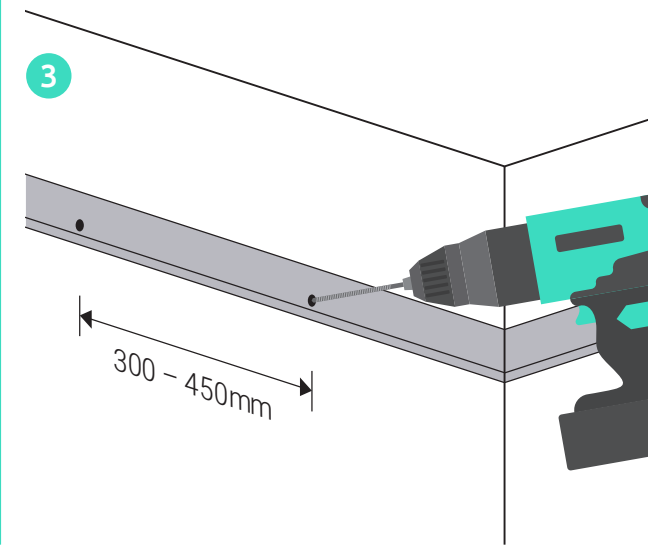
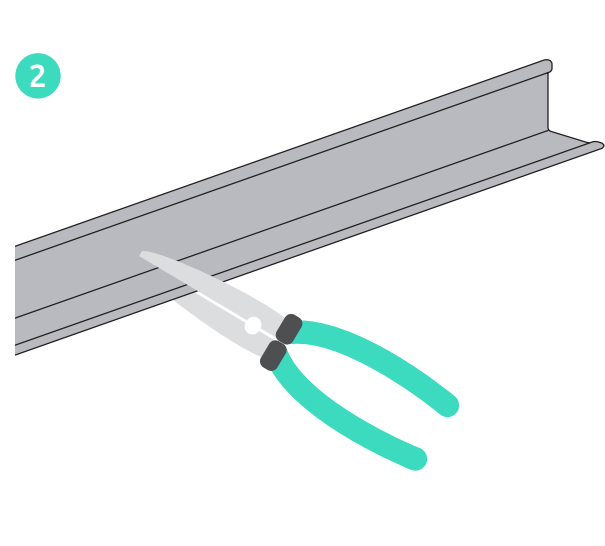
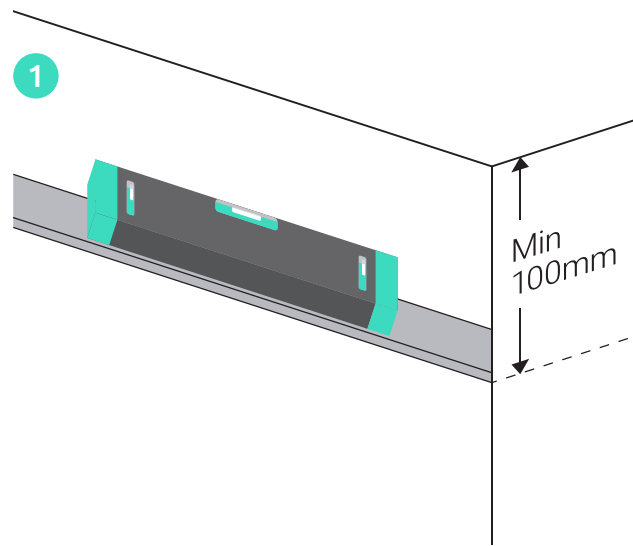
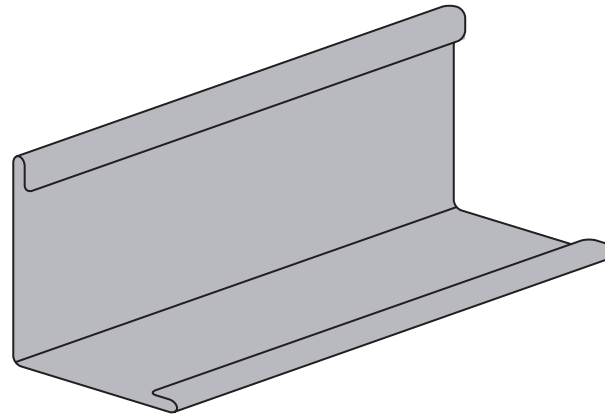


### 3 Perimeter trim installation



# Angle trim installation

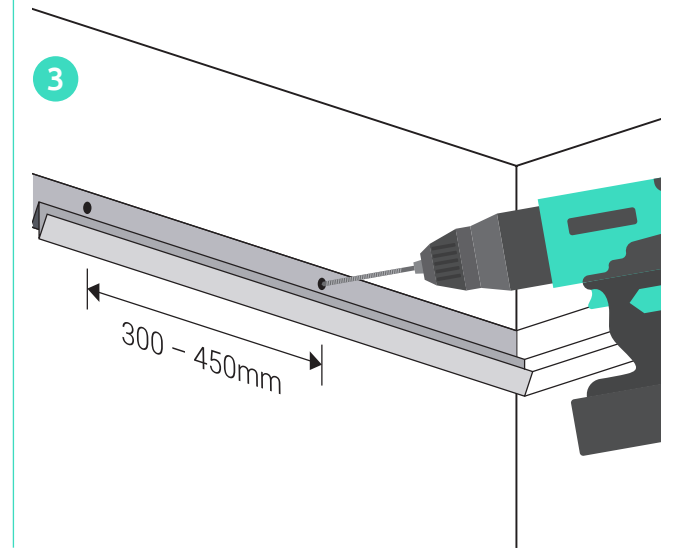
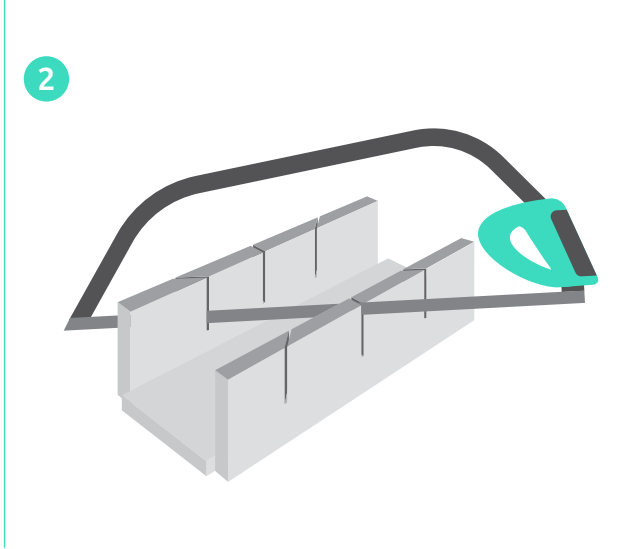
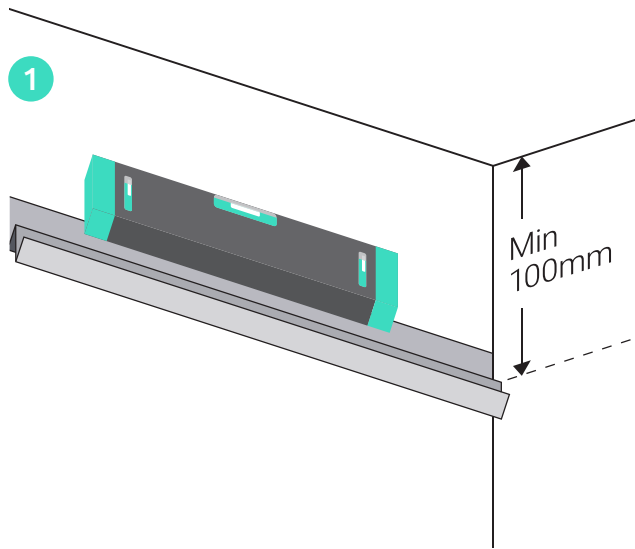
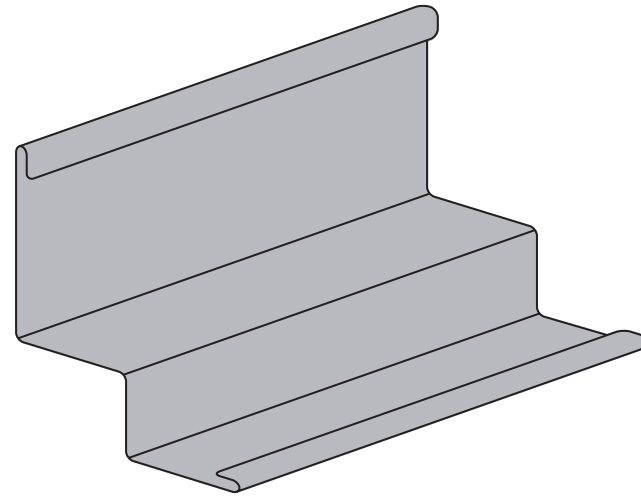
3.1



\*Fixing centres may vary with tile weight and national code of practice, please contact ITS on 0800 371 849

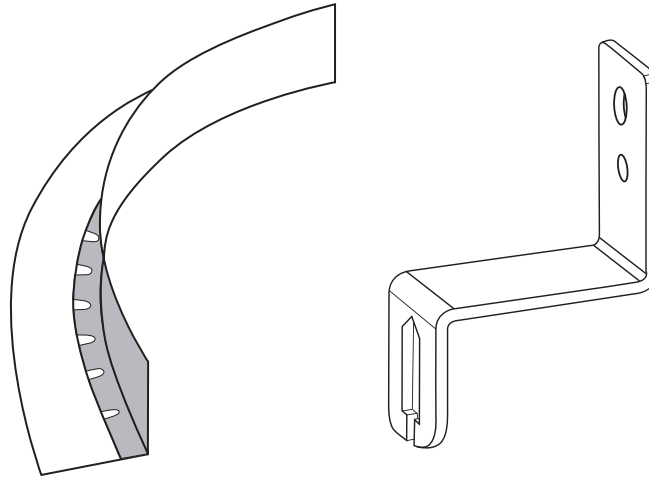
# Shadowline installation

3.2

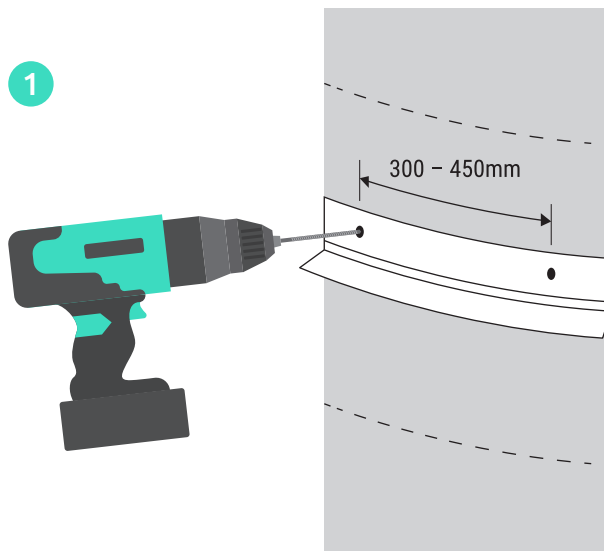


\*Fixing centres may vary with tile weight and national code of practice, please contact ITS on 0800 371 849

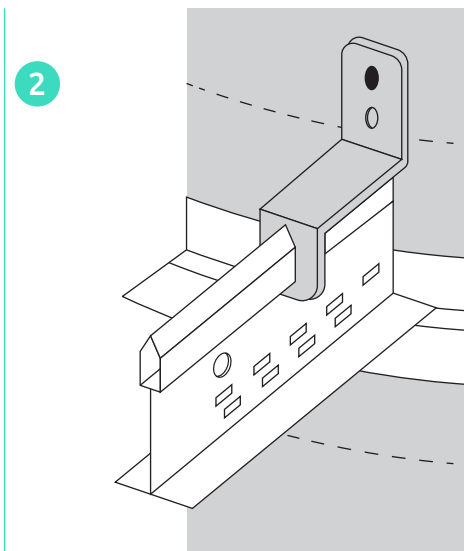
# Flexible perimeter trim installation



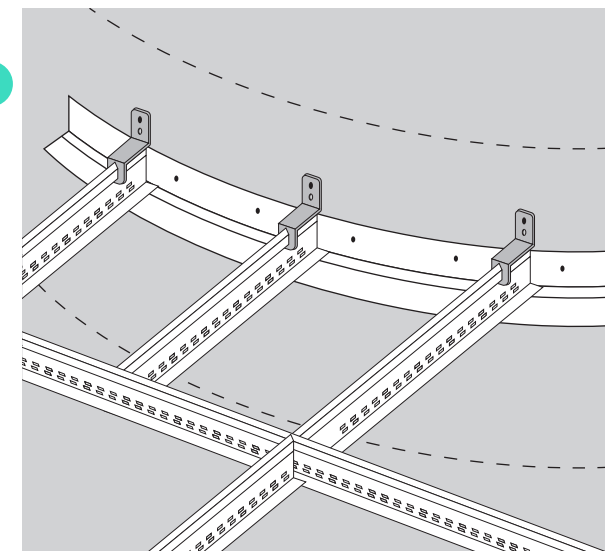
1



2



3



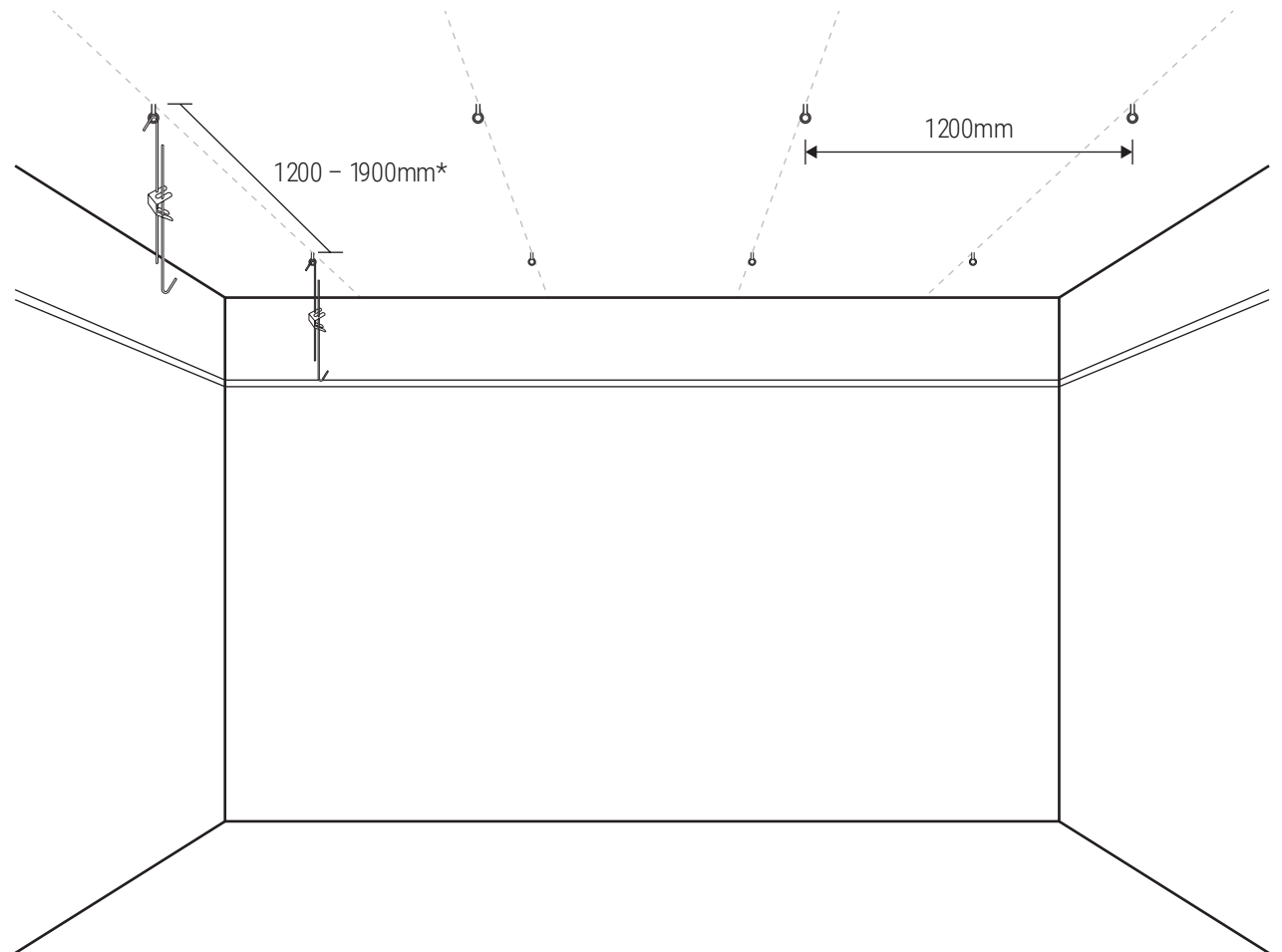
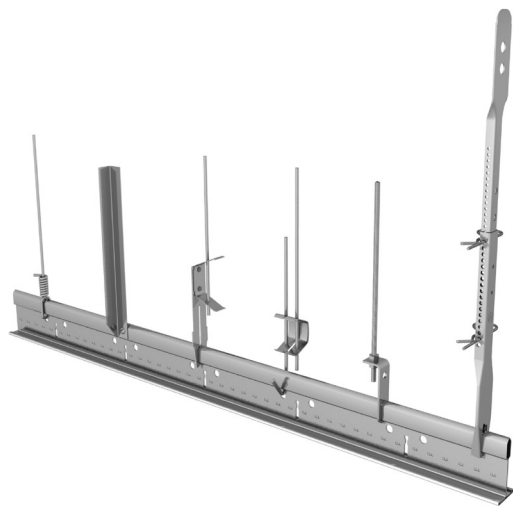
\*Tighter radii will require smaller fixing centres. First fixings max. 50mm from ends of trim

## 4 Top fixings & hangers



# Prelude 24 TLS / XL<sup>2</sup> installation

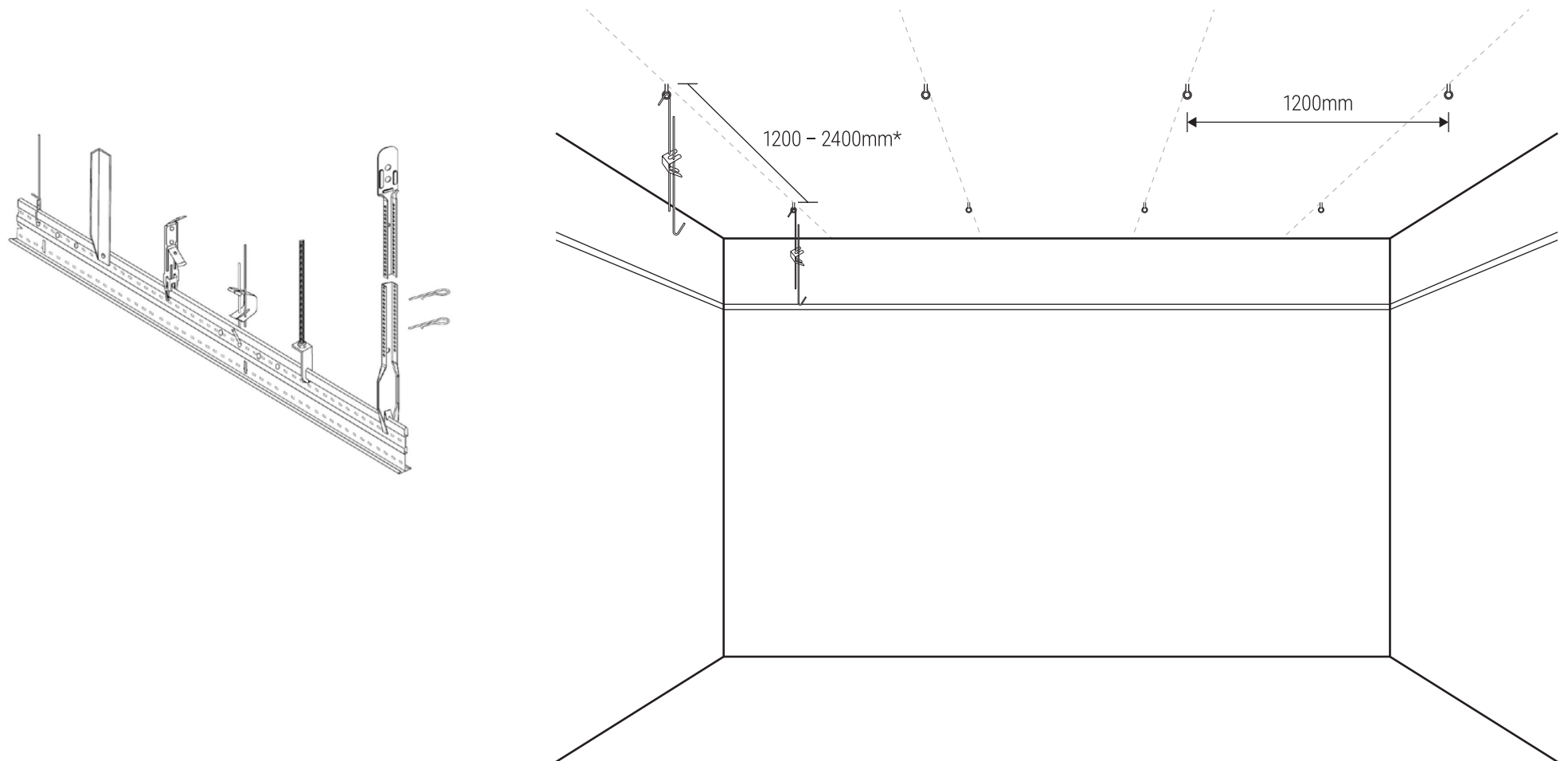
4.1



\*Hanger and Main Runner centres can vary depending on the tile weight and national code of practice. Please contact ITS on 0800 371 849

# Prelude Sixty<sup>2</sup> installation

4.2



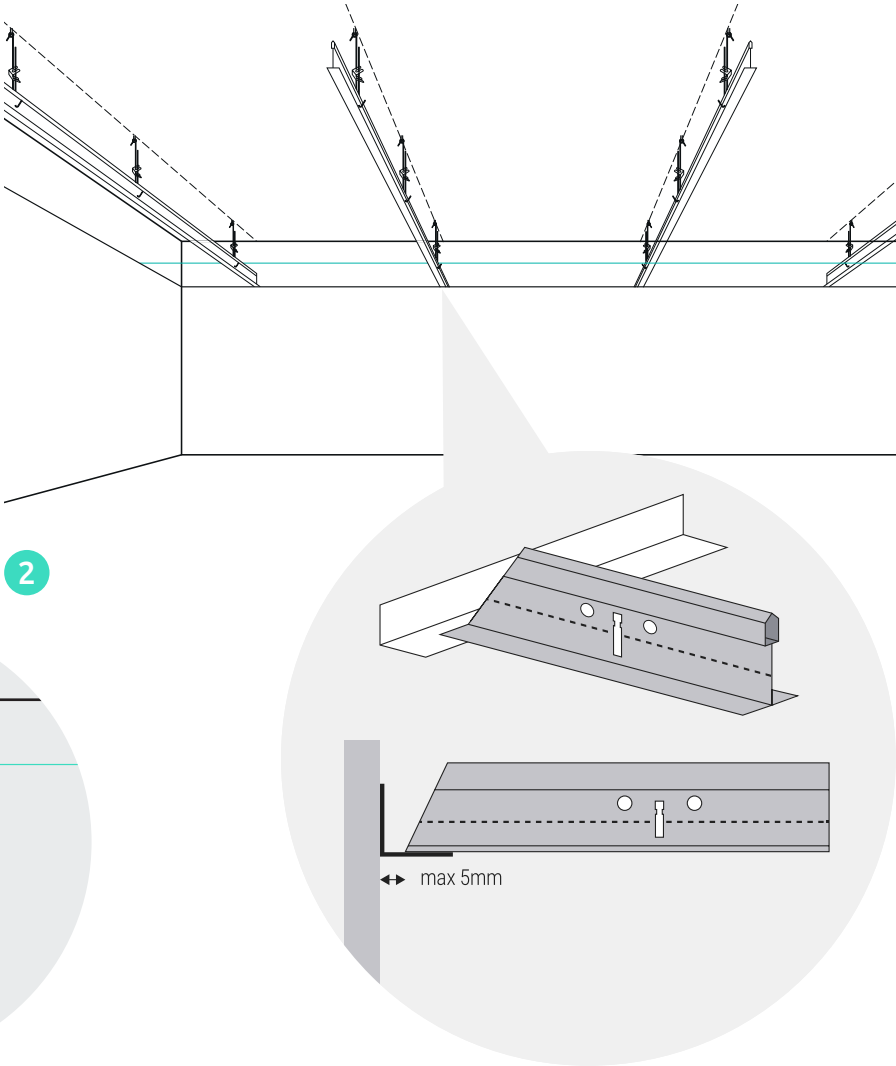
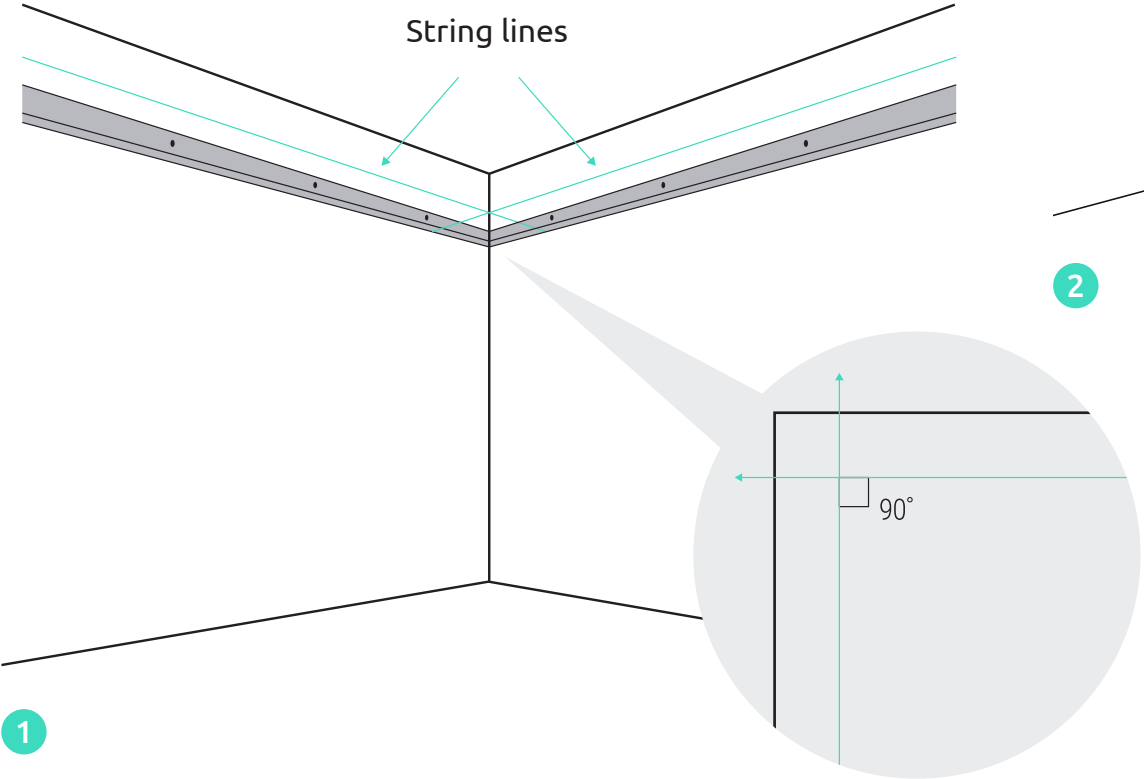
\*Hanger and Main Runner centres can vary depending on the tile weight and national code of practice. Please contact ITS on 0800 371 849

## 5 Main Runner installation

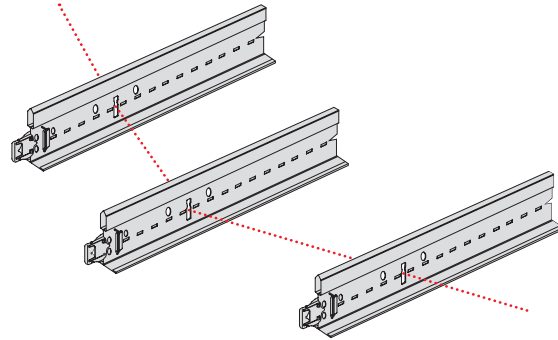




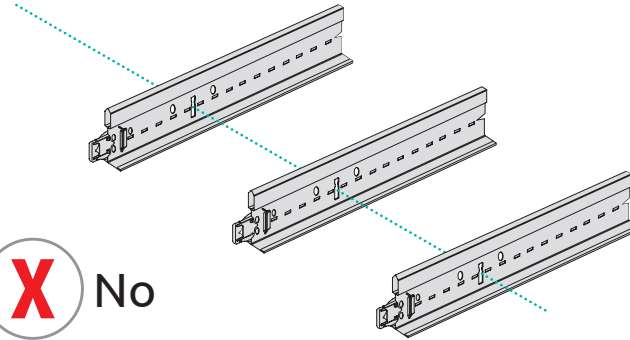
# First Main Runner location



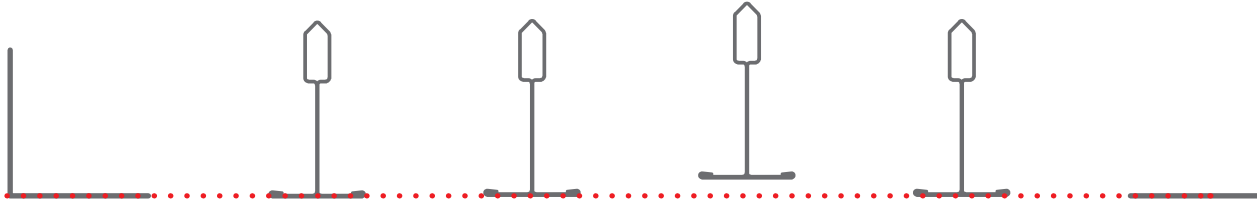
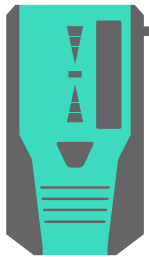
# Main Runner alignment



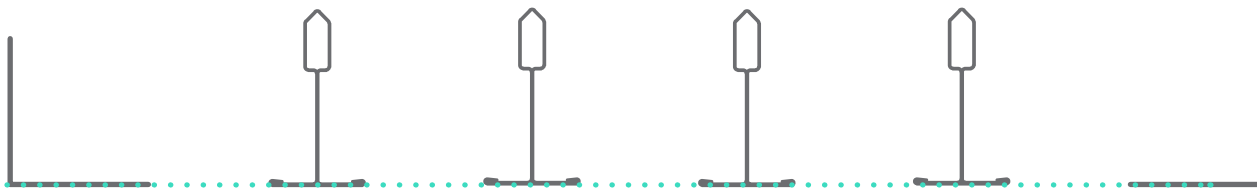
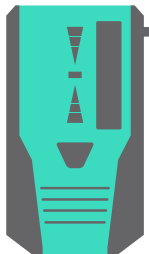
**X** No



**✓** Yes



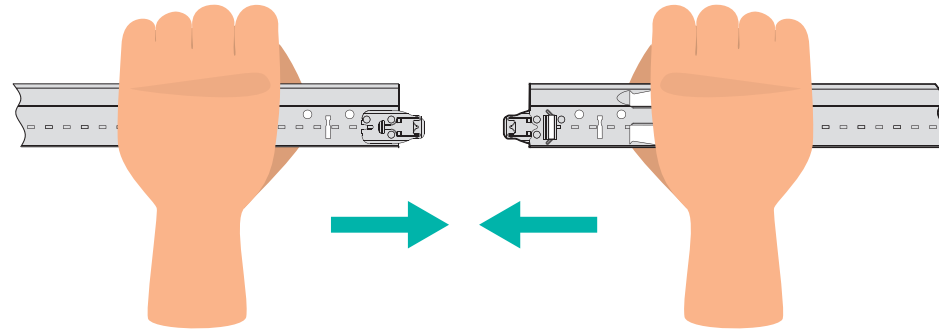
**X** No



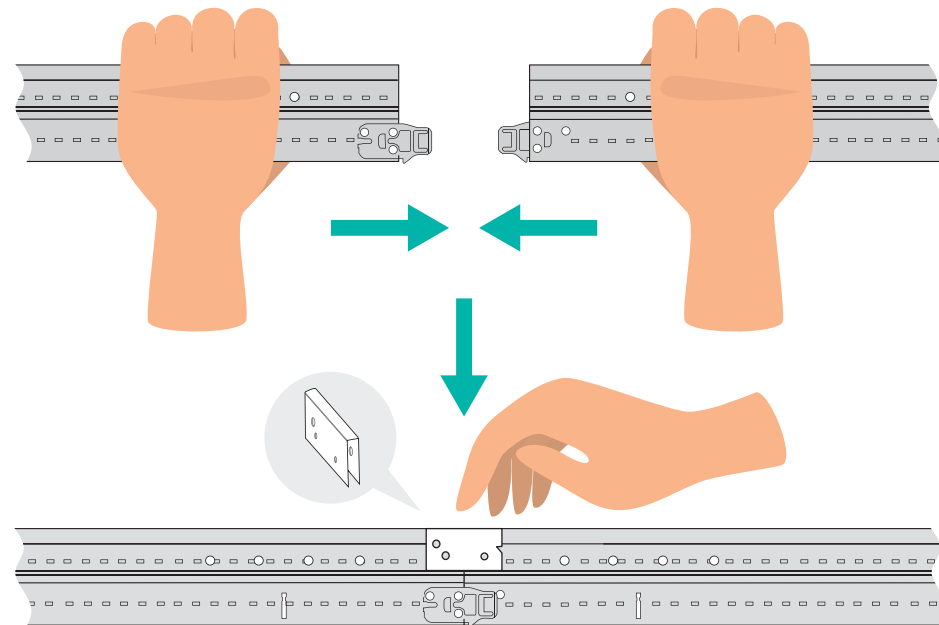
**✓** Yes

# Joining Main Runners

1 Prelude 24 TLS / XL<sup>2</sup>



2 Prelude Sixty2

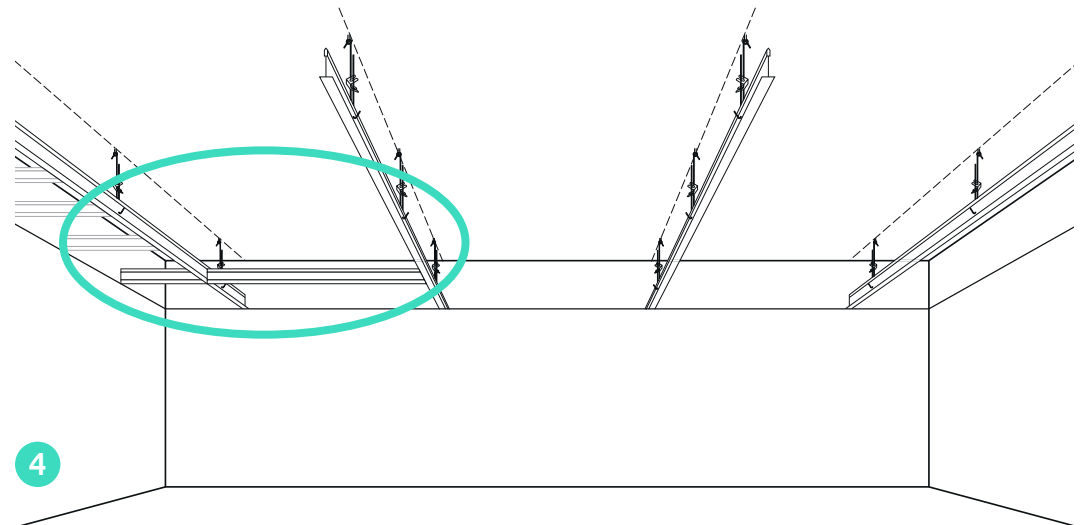
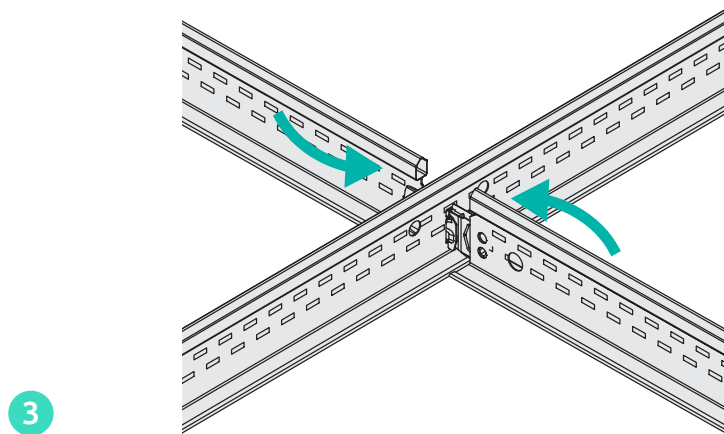
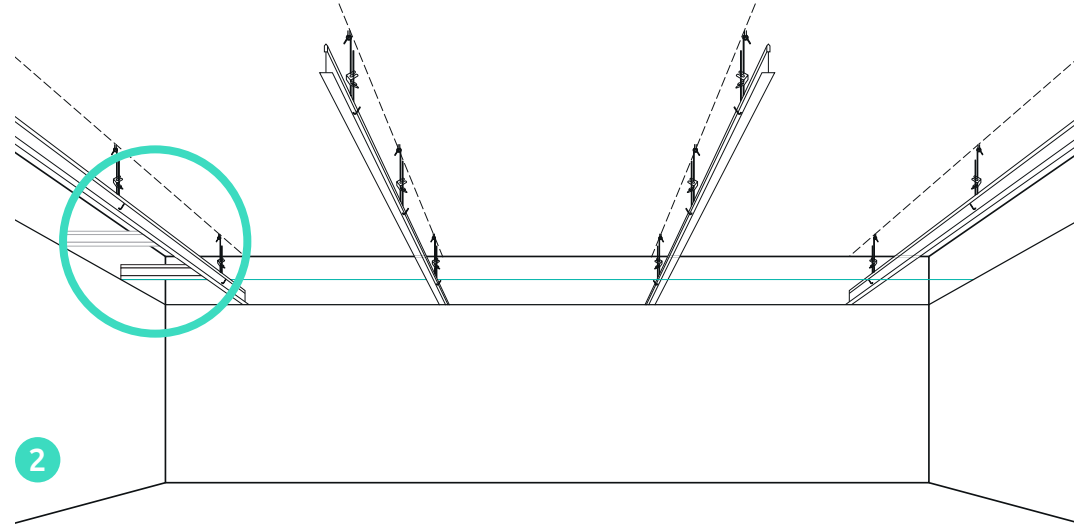
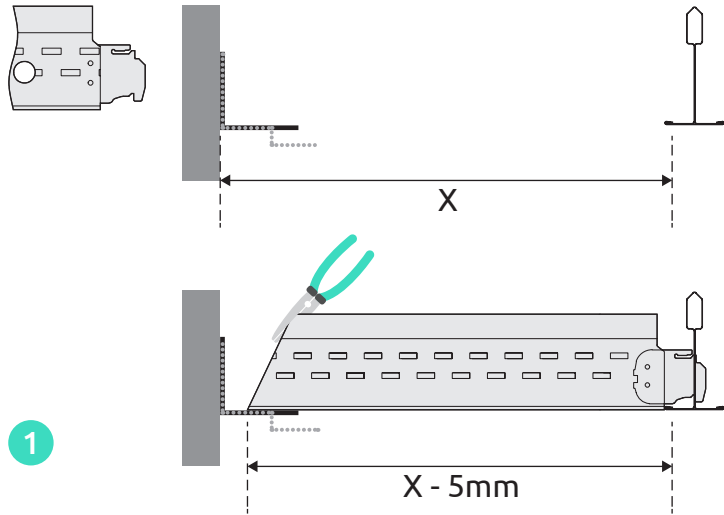
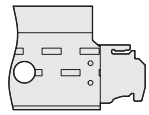


## 6 Cross Tee installation



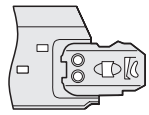
# TLS

6.1

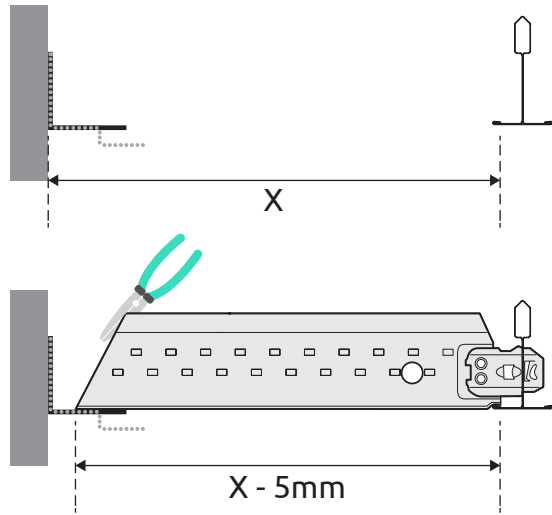


XL<sup>2</sup>

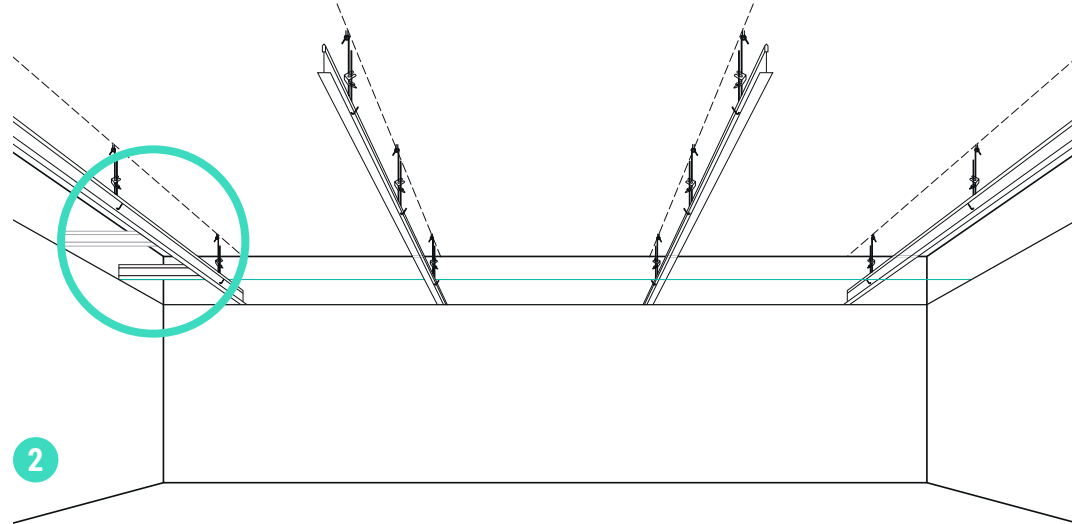
6.2



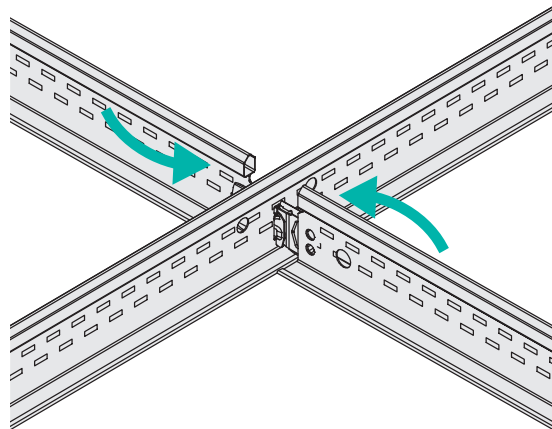
1



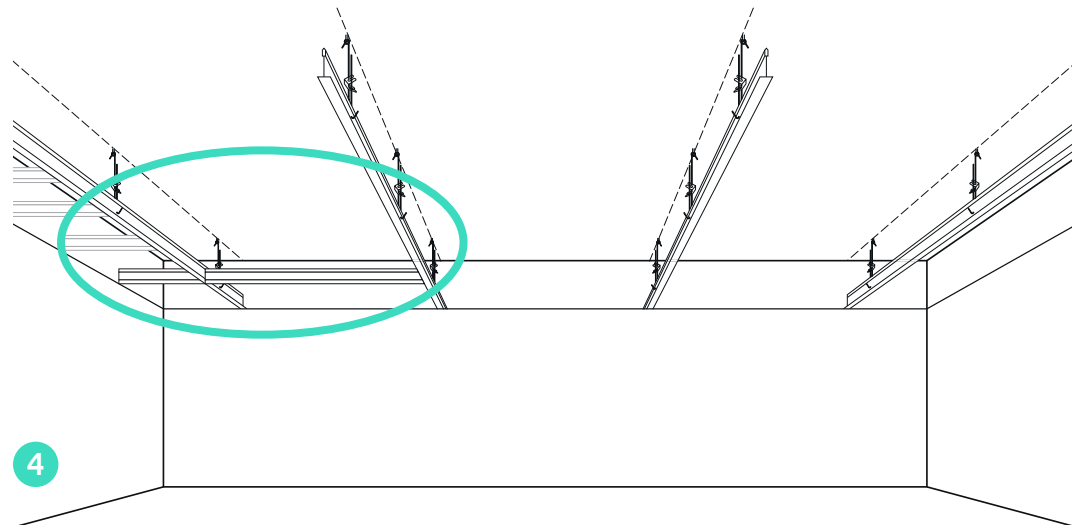
2



3



4

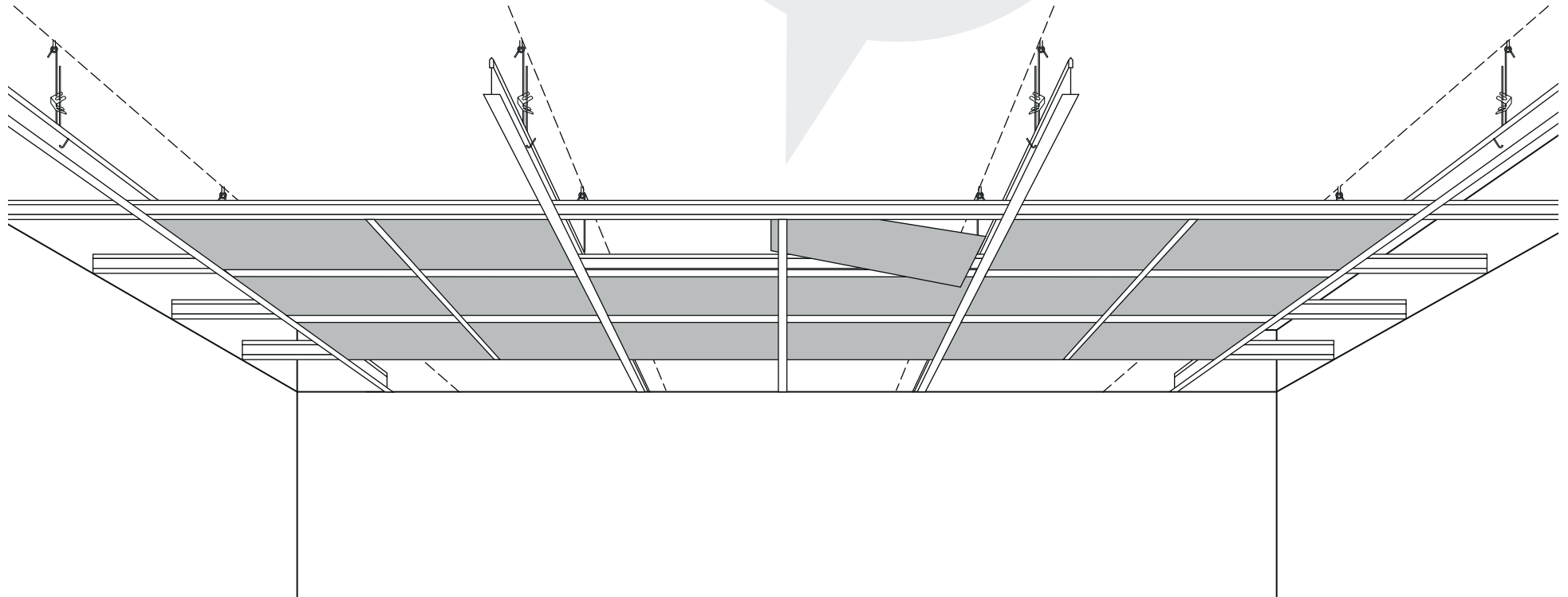
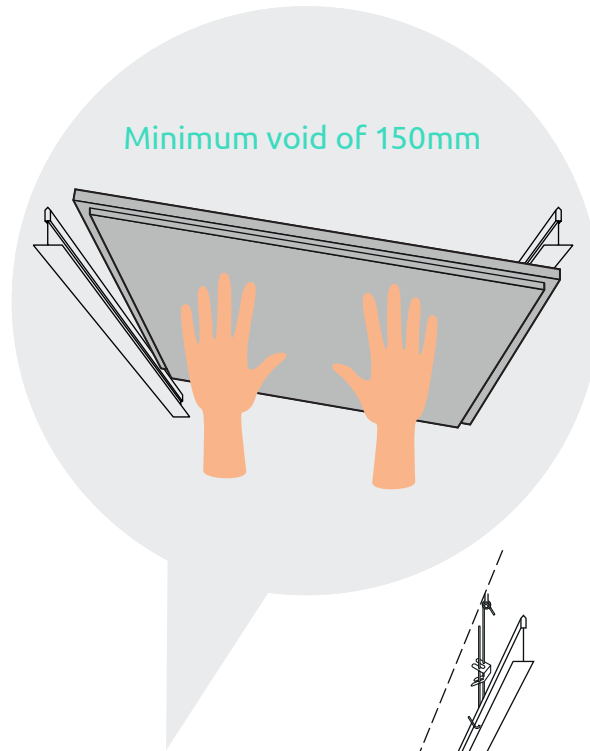
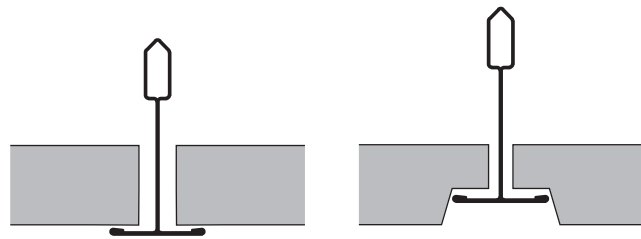


## 7 Full size tile installation



# Board / Tegular installation

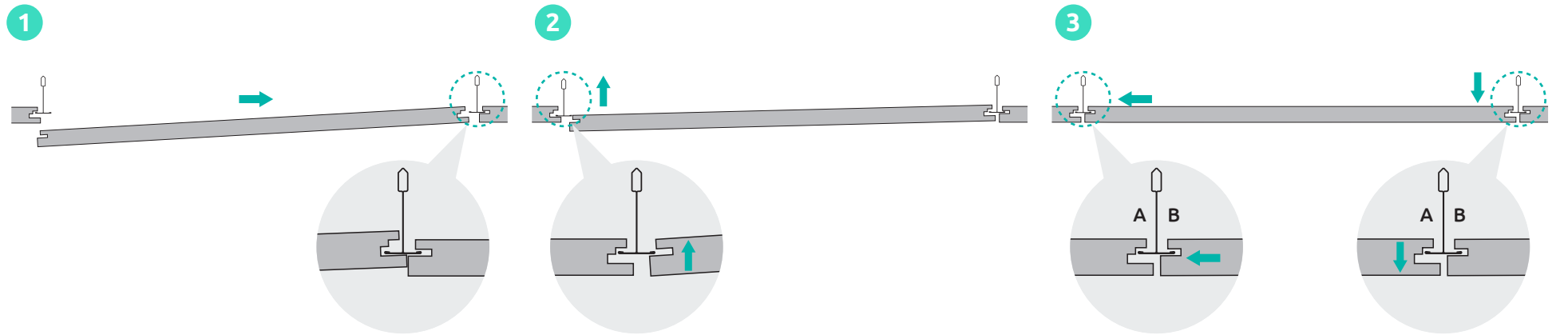
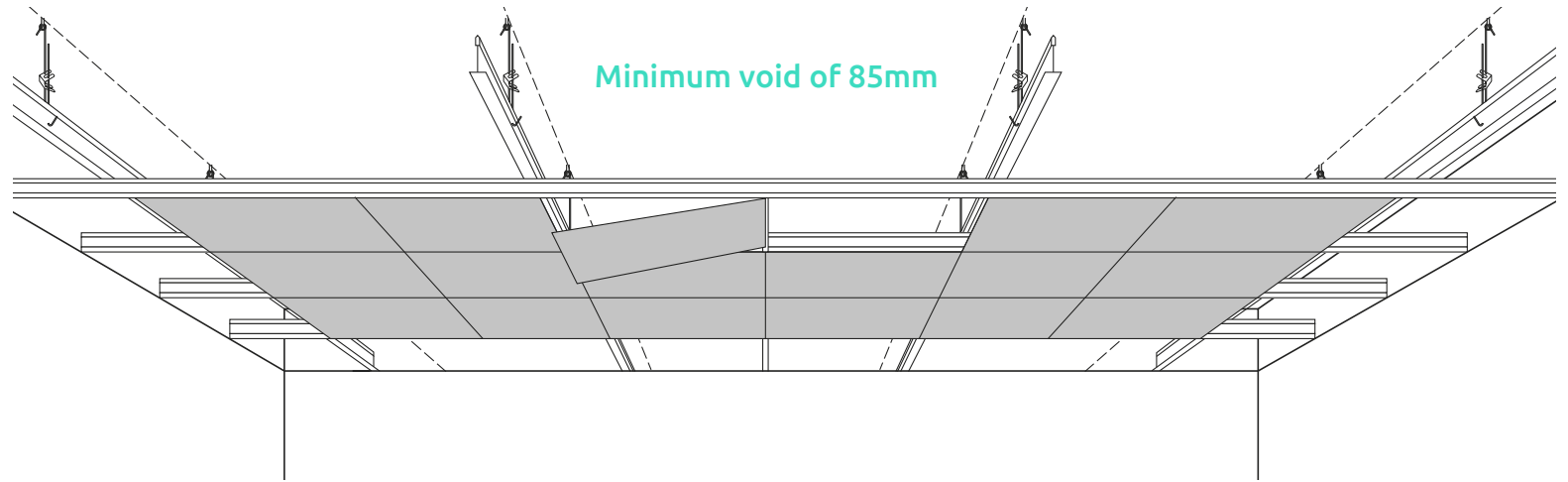
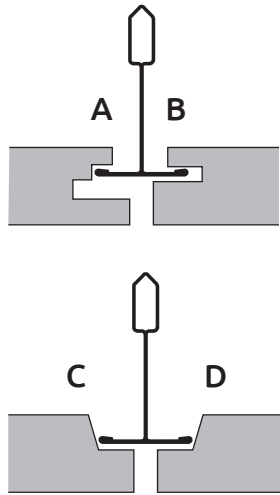
7.1





# Vector installation

7.2



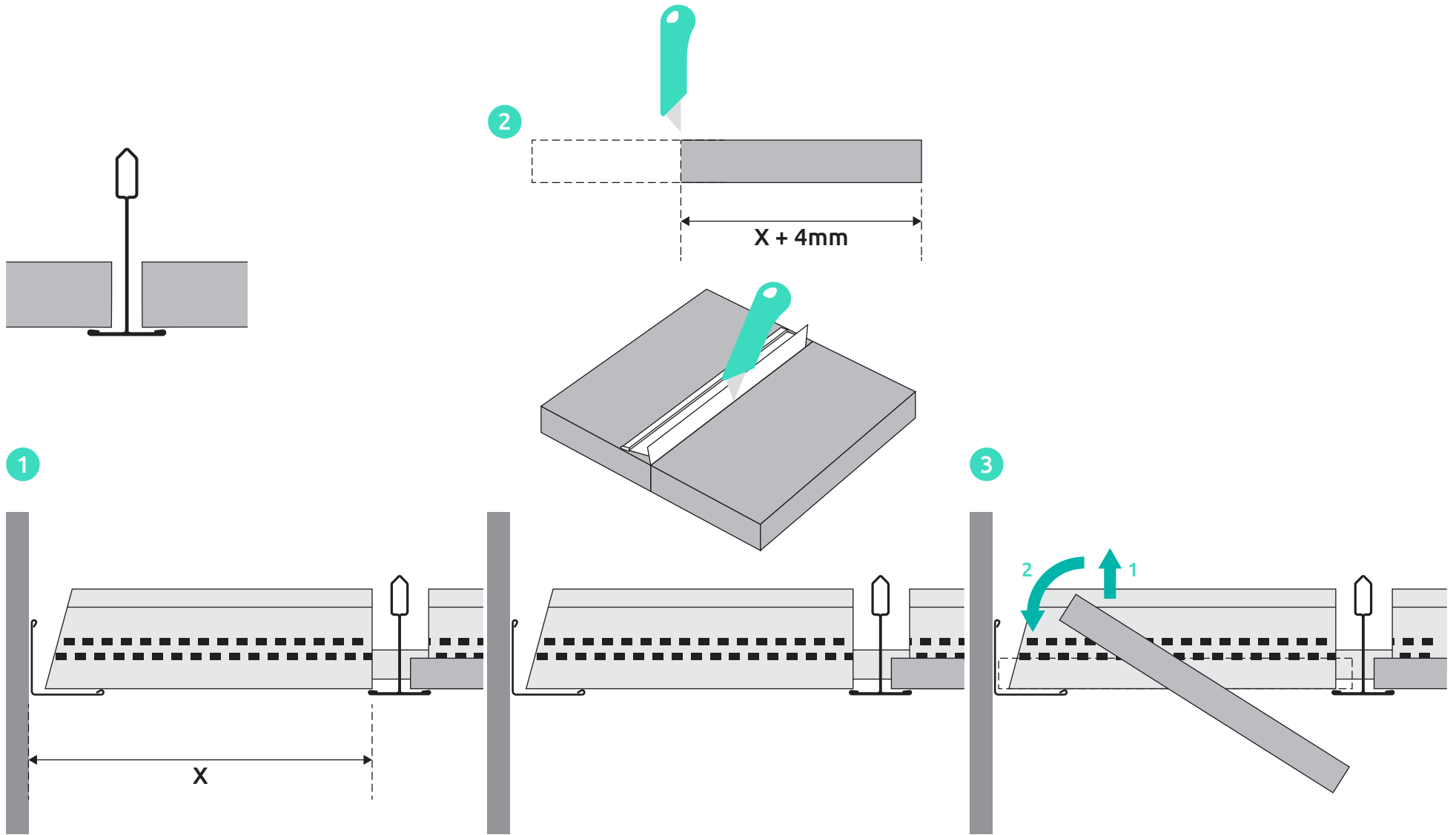
\*All the tiles must be installed in the same direction

## 8 Cut tile installation



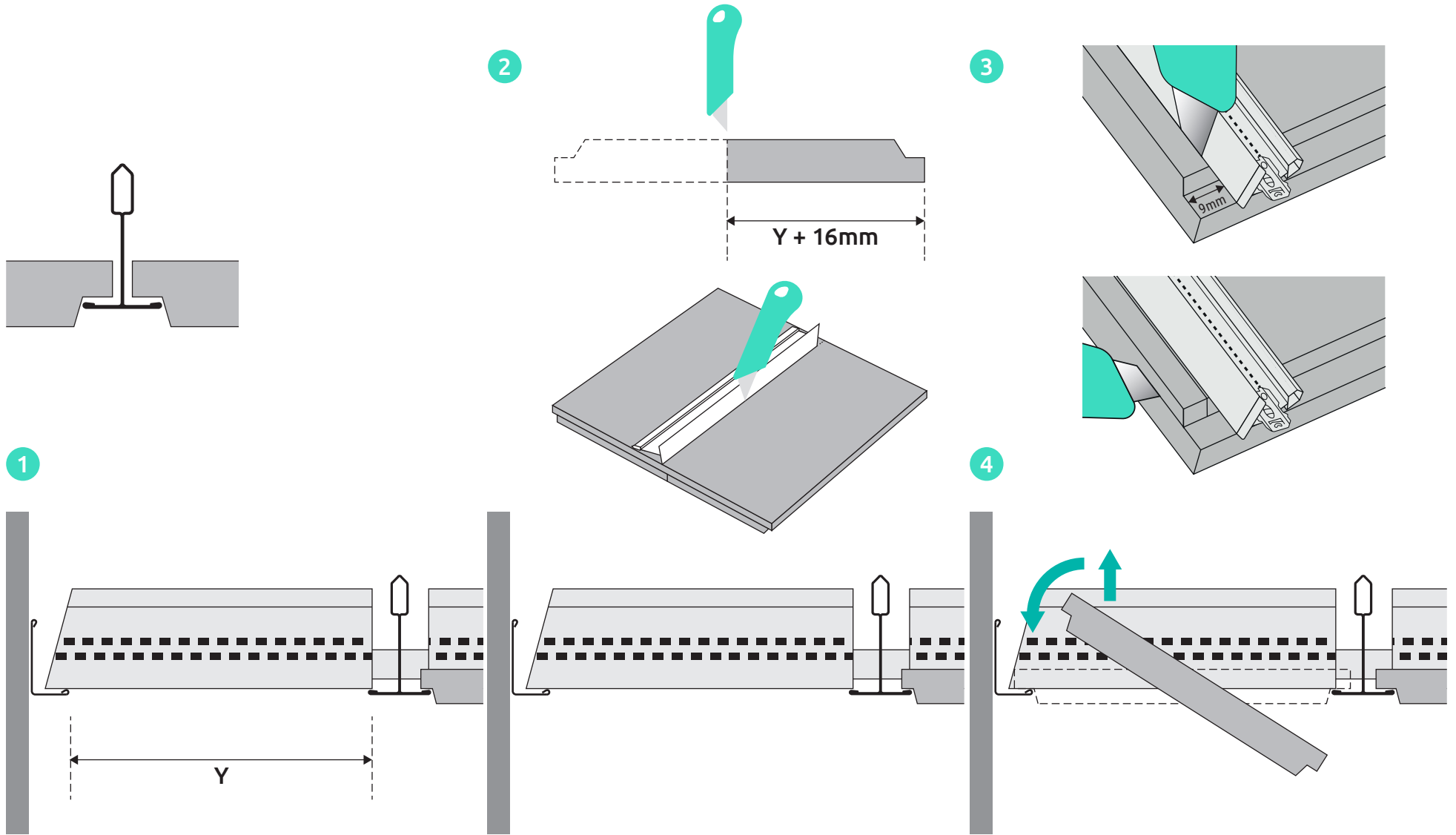
# Board

8.1



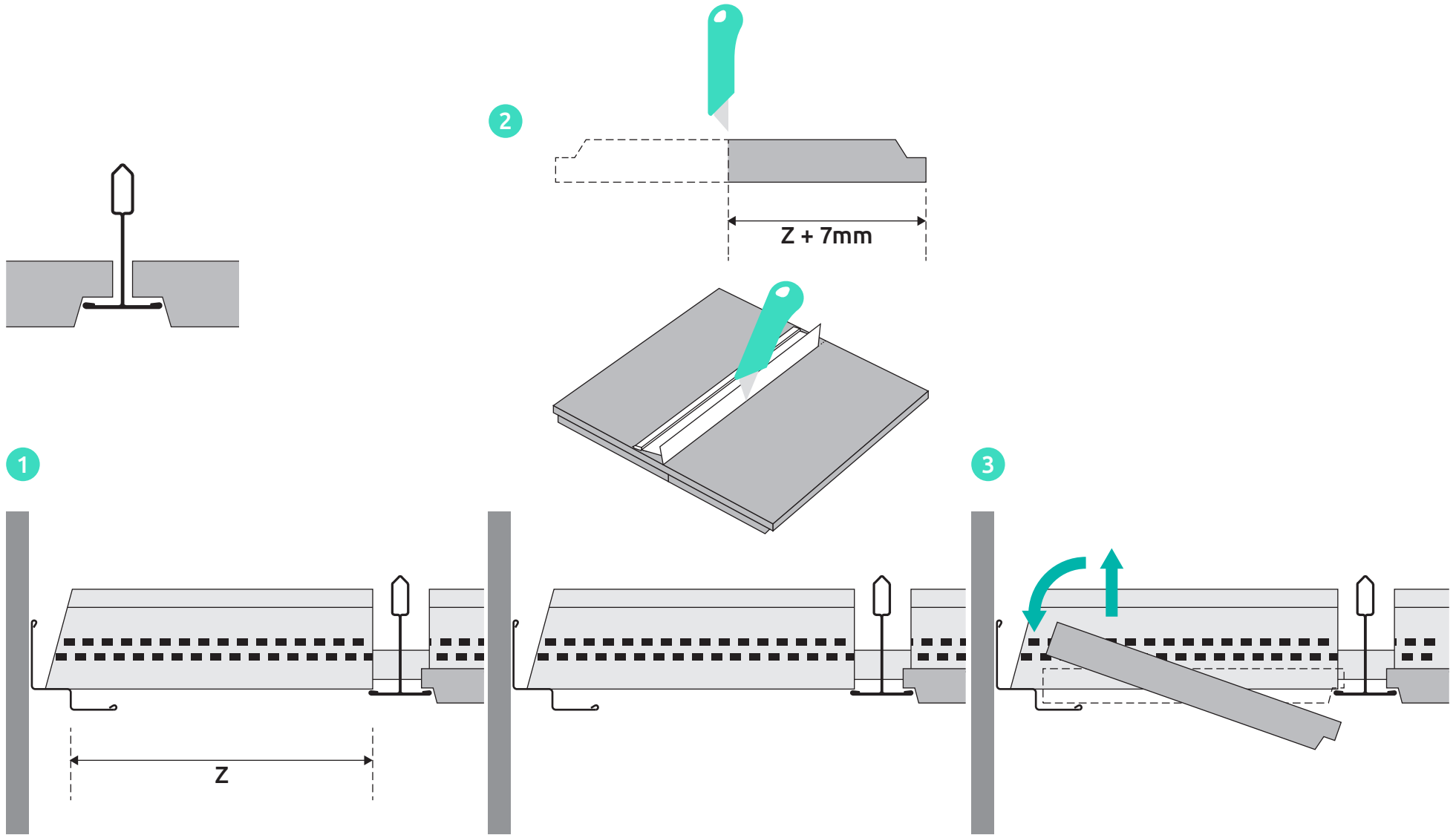
# Tegular with angle trim

8.2

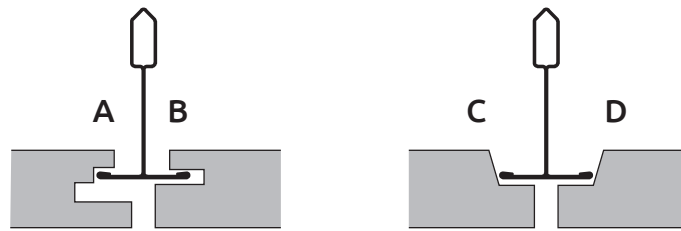


# Tegular with shadowline

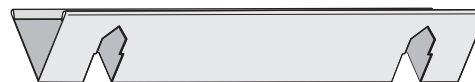
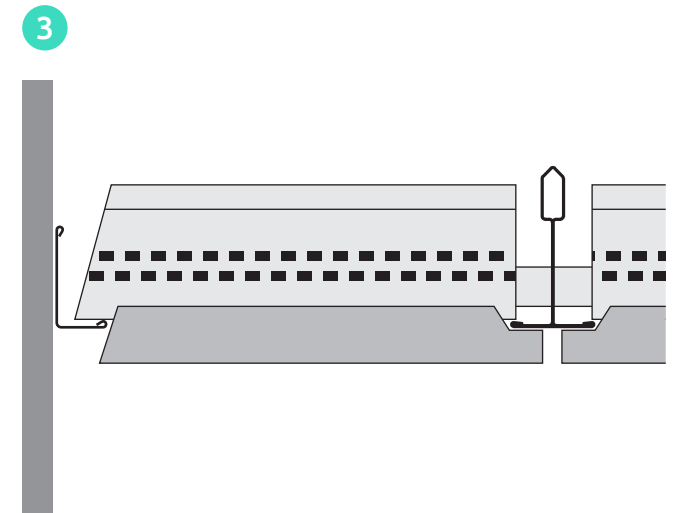
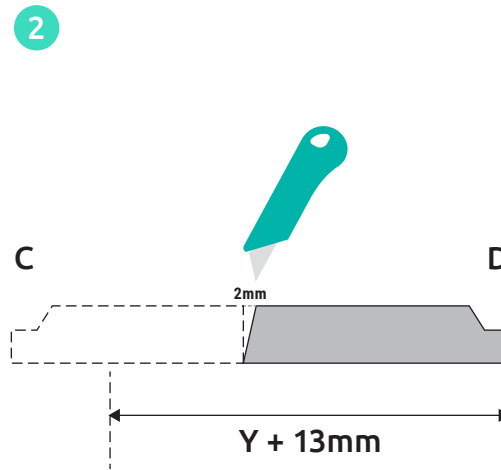
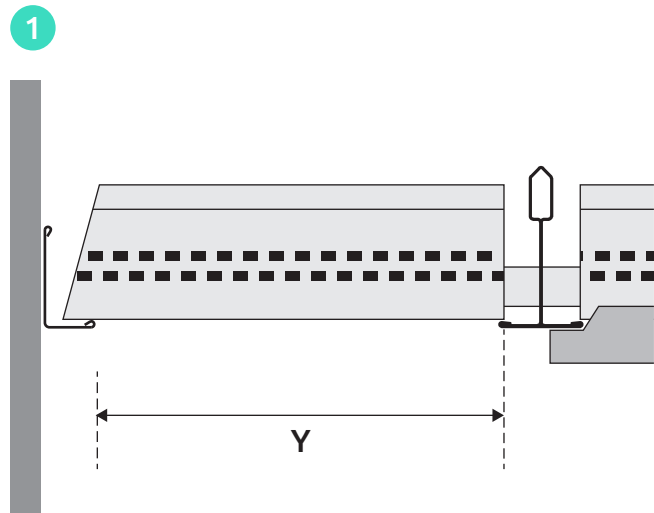
8.3



# Vector with angle trim

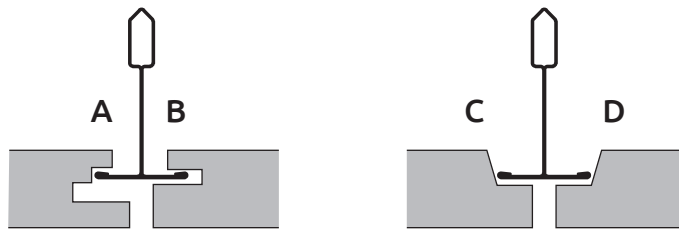


Use Vector Border Clips for corner tiles

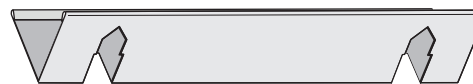
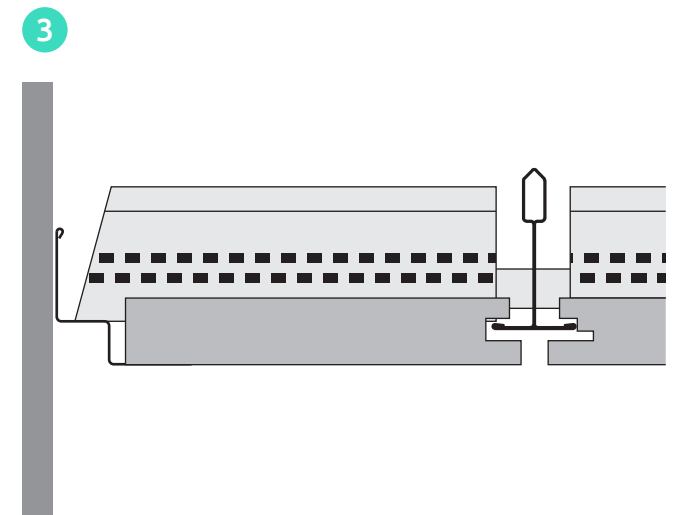
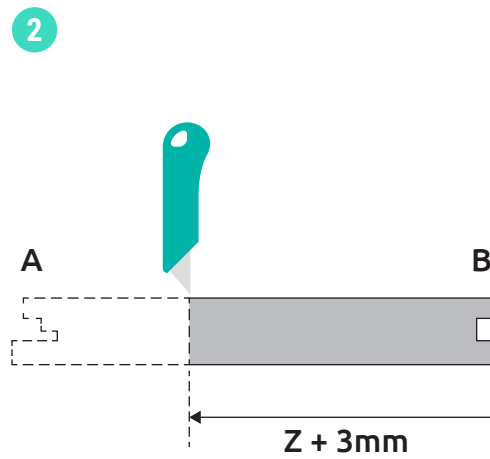
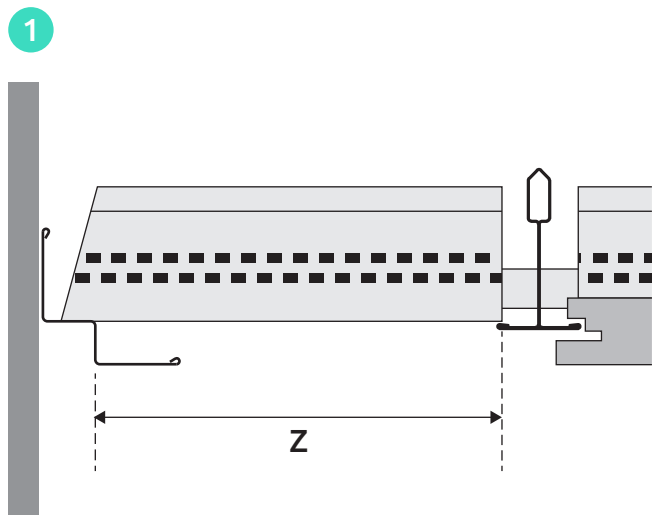


\*Spacer bars are recommended at the perimeters of all installations to maintain proper tile alignment

# Vector with shadowline



Where cut tiles are resting on the trim, border wedges may be necessary to maintain correct alignment



\*Spacer bars are recommended at the perimeters of all installations to maintain proper tile alignment