



FIREPRO® PIPE COLLAR CE

Penetration sealing device for plastic pipework

Tested to the harmonised European Standard EN 1366-3:2009, FIREPRO® Pipe Collar CE provides up to 4 hours* fire stopping in rigid floor constructions and up to 2 hours fire stopping in flexible/rigid wall constructions.

**Subject to the application*

FIREPRO® Pipe Collar CE is slim in design (depth 30mm or 40mm) allowing it to be installed around a service where space is restricted. FIREPRO® Pipe Collar CE can be installed on flexible wall, rigid wall and rigid floor constructions. When used around plastic combustible pipes, FIREPRO® Pipe Collar CE will form a penetration seal to reinstate the fire resistance performance of the wall or floor construction.

FIREPRO® Pipe Collar CE consists of a corrosion resistant powder coated steel sleeve, containing a flexible graphite based intumescent liner which is manufactured to suit standard diameter plastic pipework. Under fire conditions, the intumescent material within the collar expands, crushing the pipework and closing the void left by the pipework, preventing the passage of fire.

- Up to EI240* fire resistance
- Suitable for flexible wall and rigid wall/floor constructions
- Available to suit plastic pipe sizes ranging from 32mm to 160mm OD and PP pipes up to 250mm OD
- Tested in conjunction with FIREPRO® Ablative Coated Batt seals

**EI - Integrity/Insulation, actual performance is subject to the application.*



FIREPRO® PIPE COLLAR CE



APPLICATIONS

Tested to reinstate the fire performance of rigid and flexible walls (minimum 100mm) and rigid floors (minimum 150mm) where combustible plastic pipes penetrate.

Fire resistance testing to EN 1366-3 and proven to perform for up to EI 240* in rigid floors and EI 120* in flexible/rigid walls.

**Subject to the application*

Used to seal standard plastic pipe penetrations 32mm – 250mm diameter.

Standard plastic pipes tested are PVC-U, PP, PE.

FIREPRO® Pipe Collar CE is supplied in assembled form, without fixings. The collar is wrapped around the pipe at the soffit of a rigid floor or both faces of rigid/flexible walls.

'UL-EU certification and any product label is only applicable to the specific scope and field of application as defined within the current and valid UL-EU certificate number UL-EU-01205-CPR. Any additional details, amendments or additions to the product, or any use outside the scope or field of application, outside of that stated within certificate number UL-EU-01205-CPR has not been reviewed or approved by UL.'

FIREPRO® PIPE COLLAR CE

PERFORMANCE

Fire performance

FIREPRO® Pipe Collar CE provides up to 4 hours* fire resistance for PVC-U, PP and PE pipes. *Subject to the application.

The performance of Pipe Collar CE will be limited to the performance of the substrate.

For further advice on sizes and suitable pipework types, please contact the Technical Solutions Team on 01656 868490

FIREPRO® Pipe Collar CE has been certified by UL and CE marked to EAD 350454-00-1104.

Use the links below to access further information on fire performance:

[UL-EU Certificate UL-EU-01205-CPR >](#)

[ETA 20/1127 >](#)

[Certificate of constancy of performance 2531-CPR-CXO10264 >](#)

[Fire stopping standard details pack >](#)

PRODUCT INFORMATION

Property	Description	Test standard
Application temperature	-5°C to 40°C	
Application	Internal or External (Conditioned to Type X: -20°C - +70°C)	EOTA TR 024
Expansion rate	20:1	EOTA TR 024
Expansion pressure	1.30	EOTA TR 024
Plastic types	PP, PVC-U, PE	
Colour	Red	
Fire resistance – rigid floors	Up to 4 hours	EN 1366-3:2009
Fire resistance – flexible & rigid walls	Up to 2 hours	EN 1366-3:2009
Fixing detail	3 No 60mm x 6mm Expanding Anchors – Rigid Floors 3 No Size 70 Wood Screws - Rigid Walls 3 No 65mm Spider Fixings - Flexible Walls 3 No 35mm Tap in Fixings - Rigid Walls & Floors 3 No. 80mm Steel Pigtail Screws - Ablative Coated Batt seals in walls.	
Expected shelf life	N/A	Store in dry conditions unopened

STANDARDS AND APPROVALS

Certificate
FIREPRO® Pipe Collar CE has been tested to BS EN 1366-3:2009
Third party certification through UL, Certificate No. UL-EU-01205-CPR
CE marked to EAD 350454-00-1104

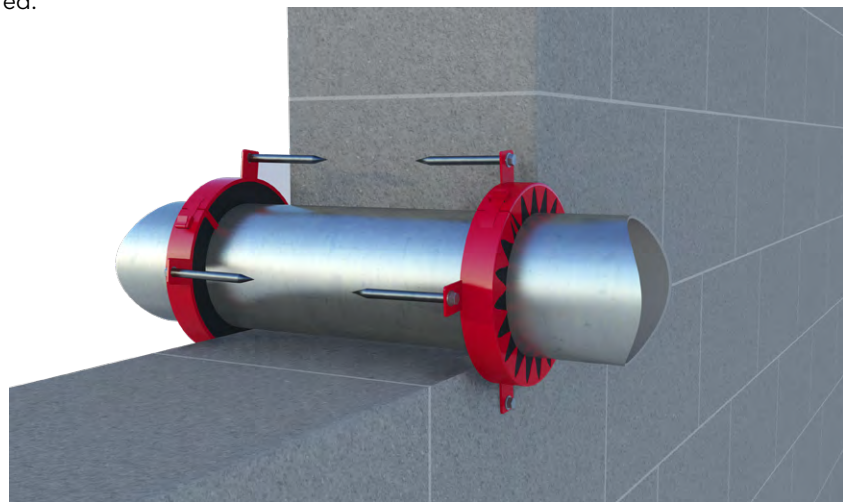


FIREPRO® PIPE COLLAR CE

INSTALLATION

Installation of FIREPRO® Pipe Collar CE in walls

1. Walls shall be a minimum thickness of 100mm or greater.
2. Flexible drywalls/partitions shall comprise a minimum of 2 layers of 'Type F' Gypsum board on both faces, with minimum 50mm studs.
3. Solid block, masonry and concrete walls shall have a minimum density of 780kg/m³ and a minimum thickness of 100mm. Aerated concrete block shall have a minimum density of 600kg/m³.
4. Fire Stopping seals at maximum 1200mm high x 730mm wide consisting of a double layer of Ablative Coated Batt seal 2 x 50mm or 2 x 60mm.
5. All walls shall have at least the same fire resistance as that required of the sealing system.
6. Services penetrating the division shall be suitably supported via steel angles, hangers or channels, no further than 400mm from the surface of the sealing system on both faces.
7. Multiple apertures must be separated by a minimum of 200mm in drywalls and concrete/masonry constructions.
8. Check services to be treated are within scope of test data.
9. All services and apertures need to be thoroughly clean and clear of dust and loose particles.
10. Temperature to be 5°C or above at time of installation.
11. Gaps of up to 10mm wide around the service within the substrate can be filled with a minimum 5mm deep FIREPRO® Acoustic Intumescent Sealant.
12. In rigid walls, for gaps greater than 10mm wide, ROCKWOOL Firestop compound can be used.
13. Fixing straps on the FIREPRO® Pipe Collar CE are opened up and the collar is simply fitted around the plastic pipe with the fixing tabs closest to the face of the wall.
14. Lock the FIREPRO® Pipe Collar CE around the pipe by closing the fixing strap. The collar is pushed flush to the surface of the wall.
15. The collar is then securely fastened to the substrate by means of fire rated fixings to suit the substrate and installed through the fixing tabs. Steel pig tail screws minimum 80mm are utilised to secure the collar through to the Ablative Coated Batt.
16. Repeat for the other side of the wall if required.



Pipe Collar CE wall application

FIREPRO® PIPE COLLAR CE

Installation of FIREPRO® Pipe Collar CE in floors

1. Floors shall be a minimum thickness of 150mm or greater.
2. Concrete, aerated concrete or masonry floors shall have a minimum density of 650kg/m³.
3. All floors shall have at least the same fire resistance as that required of the sealing system.
4. Services penetrating the division shall be suitably supported via steel angles, hangers or channels, no further than 400mm from the upper surface of the floor.
5. Check services to be treated are within scope of test data.
6. All services and apertures need to be thoroughly clean and clear of dust and loose particles.
7. Temperature to be 5°C or above at time of installation.
8. Gaps of up to 10mm wide around the service within the substrate can be filled with a minimum 5mm deep FIREPRO® Acoustic Intumescent Sealant.
9. For gaps greater than 10mm wide, ROCKWOOL Firestop compound can be used.
10. Fixing straps on the FIREPRO® Pipe Collar CE are opened up and the collar is simply fitted around the plastic pipe with the fixing tabs closest to the soffit of the floor.
11. Lock the FIREPRO® Pipe Collar CE around the pipe by closing the fixing strap. The collar is pushed flush to the soffit of the floor.
12. The collar is then securely fastened to the substrate by means of fire rated fixings to suit the substrate and installed through the fixing tabs.

SPECIFICATION CLAUSES

FIREPRO® Pipe Collar CE is associated with the following NBS Clauses:

P12 Fire stopping systems

380 Pipe collar: Surface mounted intumescent

FIREPRO® PIPE COLLAR CE

DISCLAIMERS

ROCKWOOL Limited, its affiliates, its agents and employees and all persons acting on its or their behalf (collectively "ROCKWOOL"), disclaim any and all liability for any errors, inaccuracies or incompleteness contained in any datasheet or in any other disclosure relating to any product. Usage of the information remains under the sole responsibility of the purchaser and/or user.

ROCKWOOL makes no warranty, representation or guarantee regarding the information contained in the data sheet, the suitability of the products for any particular purposes or the continuing production of any product. To the maximum extent permitted by applicable law, ROCKWOOL disclaims (i) any and all liability arising out of the application, use of any product, misuse or inability to use the product (ii) any and all liability, including without limitation special, consequential or incidental damages, and (iii) any and all implied warranties, including warranties of fitness for particular purpose, non-infringement and merchantability.

Information contained in this data sheet is up-to-date as at the date of issue. As ROCKWOOL Limited cannot control or anticipate the conditions under which this product may be used, each user should review the information in specific context of the planned use. To the maximum extent permitted by law, ROCKWOOL Limited will not be responsible for damages of any nature resulting from the use or reliance upon the information contained in this data sheet. No express or implied warranties are given other than those implied by law.

SUPPORTING INFORMATION

For further information relating to any aspect of the FIREPRO range, please refer to the applicable ROCKWOOL standard details at www.rockwool.com/uk or contact the ROCKWOOL technical solution team on 01656 868490 or technical.solutions@rockwool.com.

SUSTAINABILITY

As an environmentally conscious company, ROCKWOOL promotes the sustainable production and use of insulation and is committed to a continuous process of environmental improvement.

All ROCKWOOL products provide outstanding thermal protection as well as four added benefits:



HEALTH & SAFETY

The safety of ROCKWOOL stone wool is confirmed by current UK and Republic of Ireland health & safety regulations and EU directive 97/69/EC: ROCKWOOL fibres are not classified as a possible human carcinogen.

A Material Safety Data Sheet is available and can be downloaded from www.rockwool.com/uk to assist in the preparation of risk assessments, as required by the Control of Substances Hazardous to Health Regulations (COSHH).

ENVIRONMENT

Made from a renewable and plentiful naturally occurring resource, ROCKWOOL insulation saves fuel costs and energy in use and relies on trapped air for its thermal properties.

ROCKWOOL insulation does not contain (and has never contained) gases that have ozone depletion potential (ODP) or global warming potential (GWP).

ROCKWOOL is approximately 97% recyclable. For waste ROCKWOOL material that may be generated during installation or at end of life, we are happy to discuss the individual requirements of contractors and users considering returning these materials to our factory for recycling.